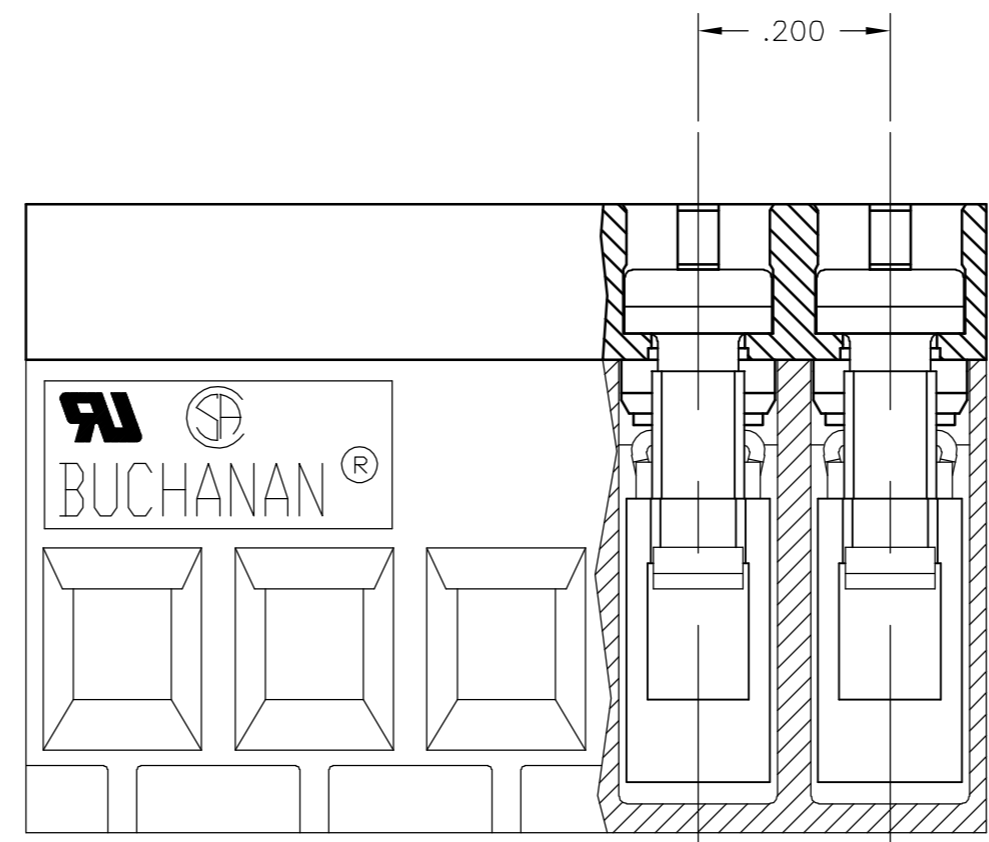
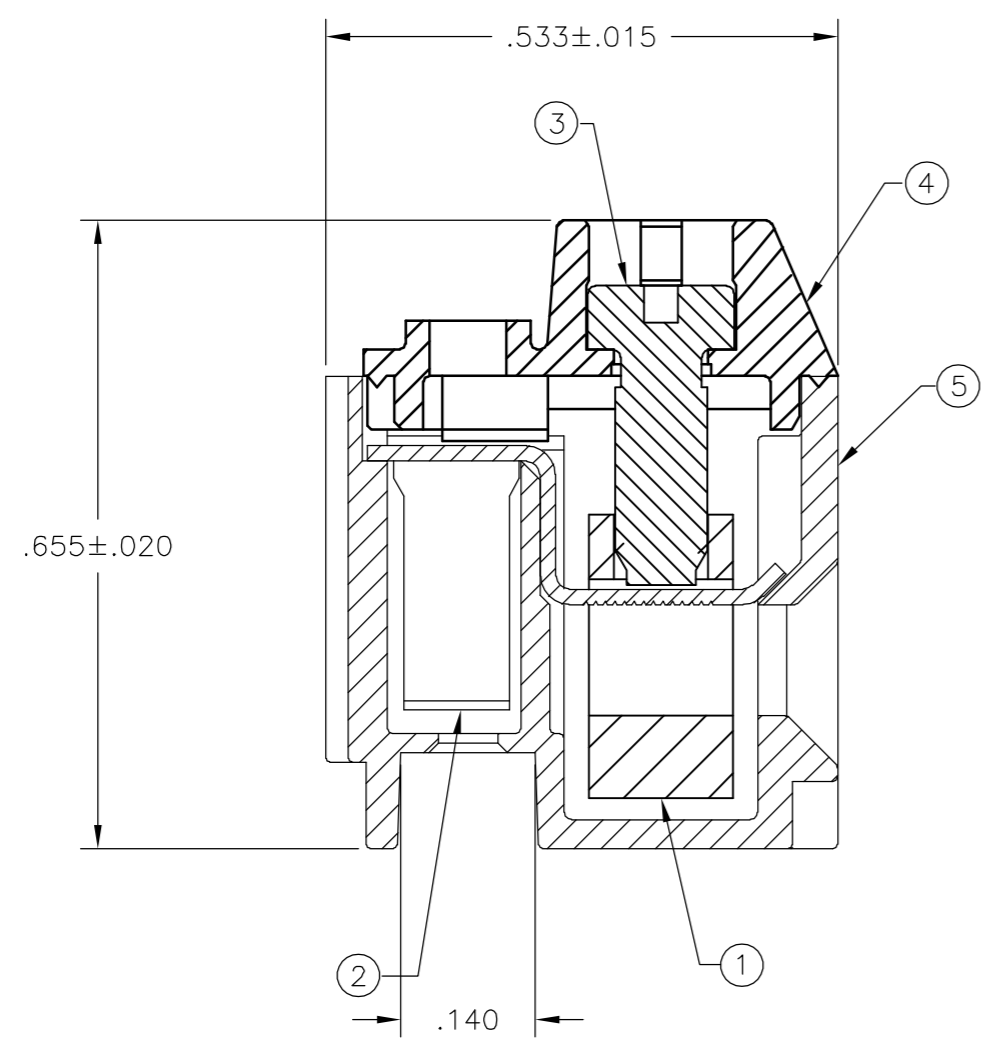
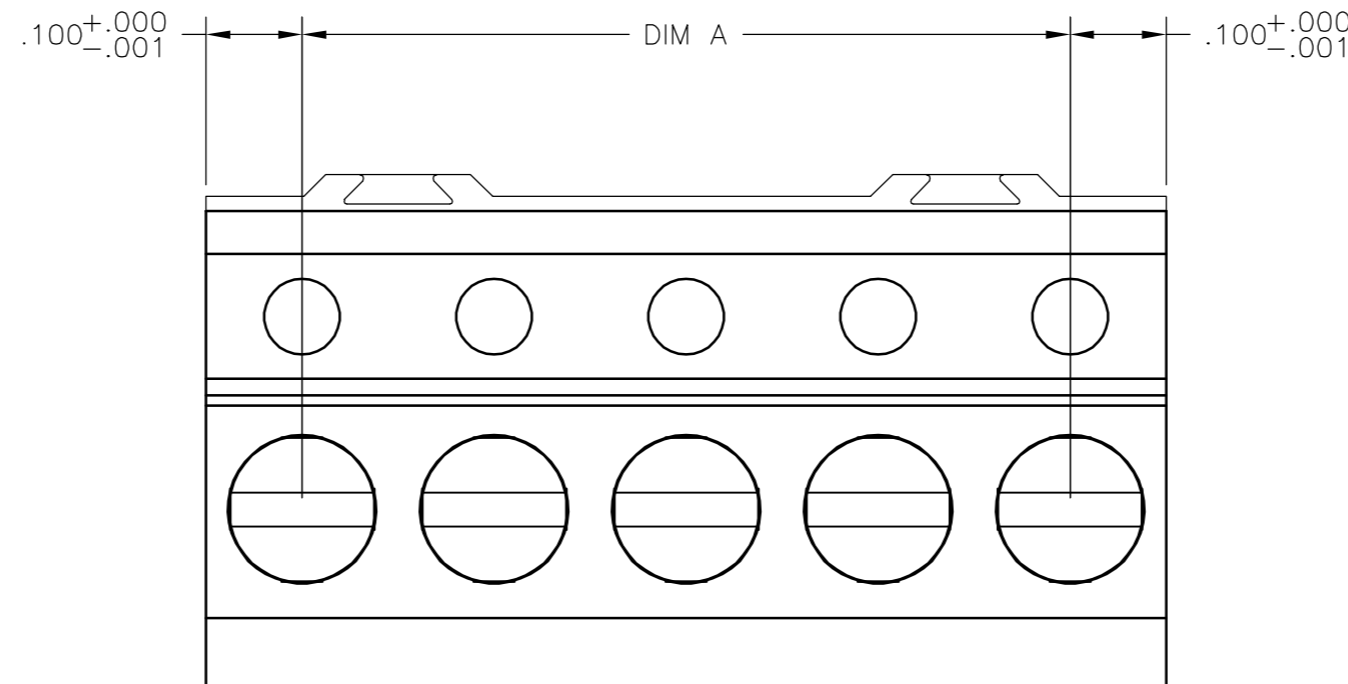


THIS DRAWING IS UNPUBLISHED. RELEASED FOR PUBLICATION
 © COPYRIGHT BY TYCO ELECTRONICS CORPORATION. ALL RIGHTS RESERVED.

| LOC | | DIST | | REVISIONS | | | |
|-----|-----|--------------------------|---------|-----------|------|--|--|
| P | LTR | DESCRIPTION | DATE | DWN | APVD | | |
| | A1 | REVISED PER ECO-05-10597 | 10/6/05 | SS | CR | | |

NOTES:
 HOUSING MATERIAL: POLYIMIDE TYPE 6/6
 94VO RATED, COLOR BLUE
 TERMINAL: PHOS BRONZE, TIN PLATED
 WIRE CAGE: HARDENED STEEL ZINC PLATED.
 SCREW: M2.5 X 6.2 STEEL, ZINC PLATED.



| | | | |
|------------|-------------|----------------|---------------|
| 4.200±.011 | 22 | B51C8U22T | 9-1437426-5 |
| 3.800±.010 | 20 | B51C8U20T | 9-1437426-4 |
| 3.400±.009 | 18 | B51C8U18T | 9-1437426-3 |
| 3.000±.008 | 16 | B51C8U16T | 9-1437426-2 |
| 2.600±.007 | 14 | B51C8U14T | 9-1437426-1 |
| 2.400±.007 | 13 | B51C8U13T | 9-1437426-0 |
| 2.200±.006 | 12 | B51C8U12T11GK | 8-1437426-9 |
| 2.200±.006 | 12 | B51C8U12T | 8-1437426-7 |
| 2.000±.006 | 11 | B51C8U11T | 8-1437426-6 |
| 1.800±.006 | 10 | B51C8U10T11FK | 8-1437426-5 |
| 1.800±.006 | 10 | B51C8U10T | 8-1437426-3 |
| 1.600±.005 | 9 | B51C8U09T | 8-1437426-1 |
| 1.400±.005 | 8 | B51C8U08T | 8-1437426-0 |
| 1.200±.004 | 7 | B51C8U07T | 7-1437426-8 |
| 1.000±.004 | 6 | B51C8U06T | 7-1437426-7 |
| .800±.003 | 5 | B51C8U05T | 7-1437426-5 |
| .600±.002 | 4 | B51C8U04T | 7-1437426-4 |
| .400±.002 | 3 | B51C8U03T | 7-1437426-2 |
| .200±.002 | 2 | B51C8U02T | 7-1437426-1 |
| DIM A | NO. OF POSN | T & B PART NO. | TYCO PART NO. |

THIS DRAWING IS A CONTROLLED DOCUMENT.

| | | |
|------|------------|---------|
| DWN | S SCHLEGEL | 03DEC02 |
| CHK | C RICHARD | 12/3/02 |
| APVD | C RICHARD | 12/3/02 |

TOLERANCES UNLESS OTHERWISE SPECIFIED:
 0 PLC ± -
 1 PLC ± -
 2 PLC ± -
 3 PLC ± .005
 4 PLC ± -
 ANGLES ± 1°
 FINISH -

MATERIAL -

tyco Electronics
 Tyco Electronics Corporation
 Harrisburg, PA 17105-3608

NAME
 TERMINAL BLOCK ASSEMBLY
 .200 (5.08MM) SPACING

| | | | |
|------|-----------|---------------|---------------|
| SIZE | CAGE CODE | DRAWING NO | RESTRICTED TO |
| A2 | 00779 | C=7-1437426-0 | - |

CUSTOMER DRAWING SCALE 5:1 SHEET 1 of 1 REV A1

7-1437426-0

A